

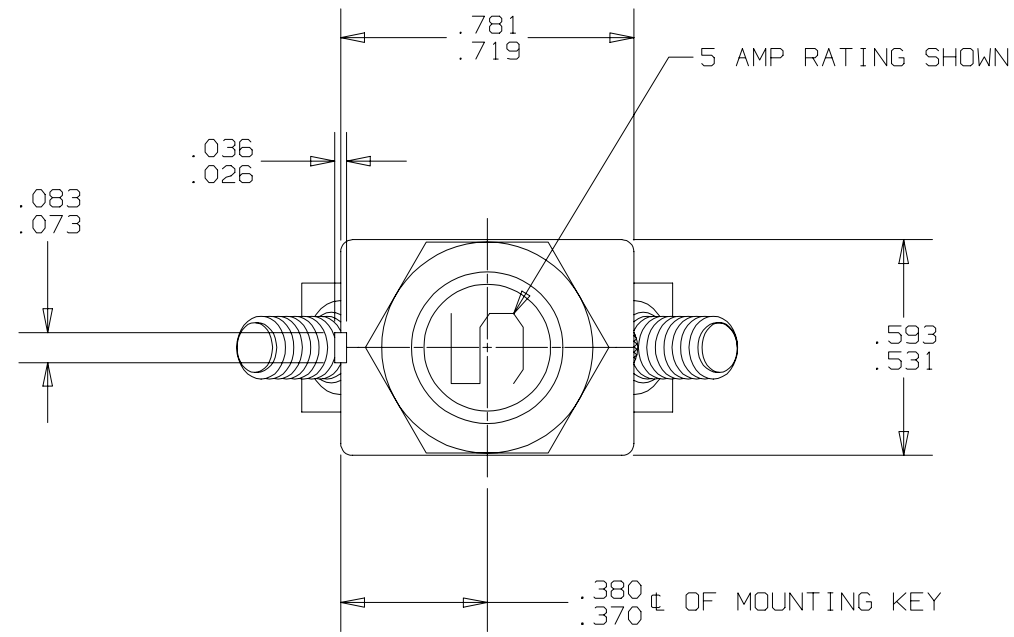
4

3

2

1

REVISIONS					
ZONE	LTR	DESCRIPTION	PROJ. 1041	DATE	APPROVED
	AC	SEE ECN	ECN0017504 PAF	8-19-04	D.A.



PERFORMANCE CHARACTERISTICS

DETAIL PERFORMANCE PER MIL-C-5809

OVERLOAD CYCLING	-----	100 CYCLES AT 200% RATING
VIBRATION	-----	10 G'S MINIMUM 50-500 HZ
MECHANICAL SHOCK	-----	50 G'S
ACCELERATION	-----	10 G'S
SAND AND DUST	-----	12 HOURS
CORROSION	-----	SALT SPRAY 50 HOURS
HUMIDITY	-----	10 DAYS
EXPLOSION PROOF	-----	WHILE INTERRUPTING RUPTURE CURRENTS

ENDURANCE:	120 VAC	400 HZ INDUCTIVE	2500 CYCLES
	30 VDC	400 HZ RESISTIVE	5000 CYCLES
		INDUCTIVE	2500 CYCLES
		RESISTIVE	5000 CYCLES
		NO LOAD	10000 CYCLES

CALIBRATION:	1 AMP THRU 25 AMP					
		MIN. ULT. TRIP	MAX. ULT. TRIP	200%	500%	1000%
+25°C, +77°F		115% RATING	138% RATING	4-16 SEC.	.4-1.6 SEC.	.10-.40 SEC.
-54°C, -65°F		115% RATING	165% RATING	7-35 SEC.	.6-3.0 SEC.	.15-.70 SEC.
+121°C, +250°F		85% RATING	145% RATING	2-13 SEC.	.25-1.0 SEC.	.06-.25 SEC.

RUPTURE:	1 THRU 15 AMP	120 VAC, 400 HZ	2500 AMPS
	1 THRU 20 AMP	28 VDC	6000 AMPS
	20 AMP	120 VAC, 400 HZ	2000 AMPS
	25 AMP	120 VAC, 400 HC	1800 AMPS
	25 AMP	28 VDC	1625 AMPS

MAXIMUM OPERATING FORCES

PULL OUT	-----	5 LBS. MAX. (22.2 N)
RESET	-----	5 LBS. MAX. (22.2 N)

OPERATING ALTITUDE: 70,000 FT. (21,000 M)

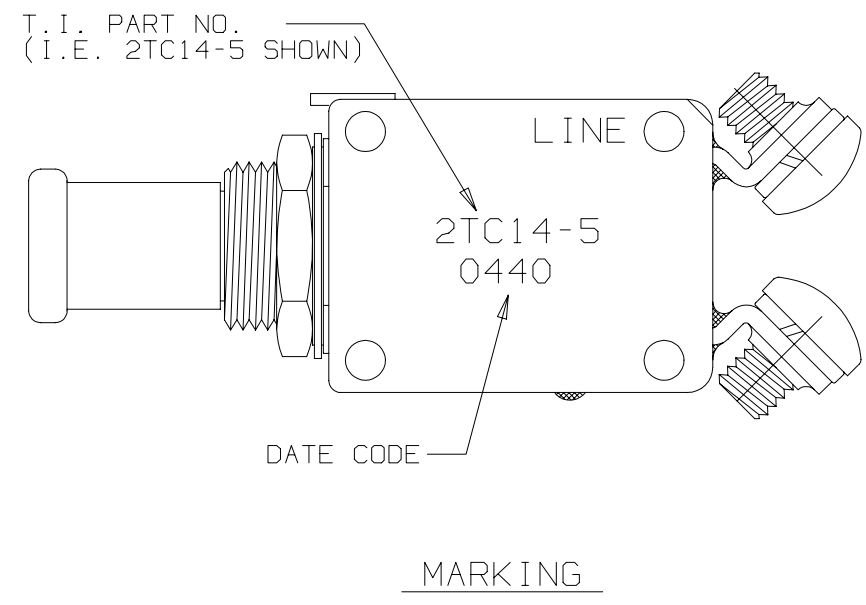
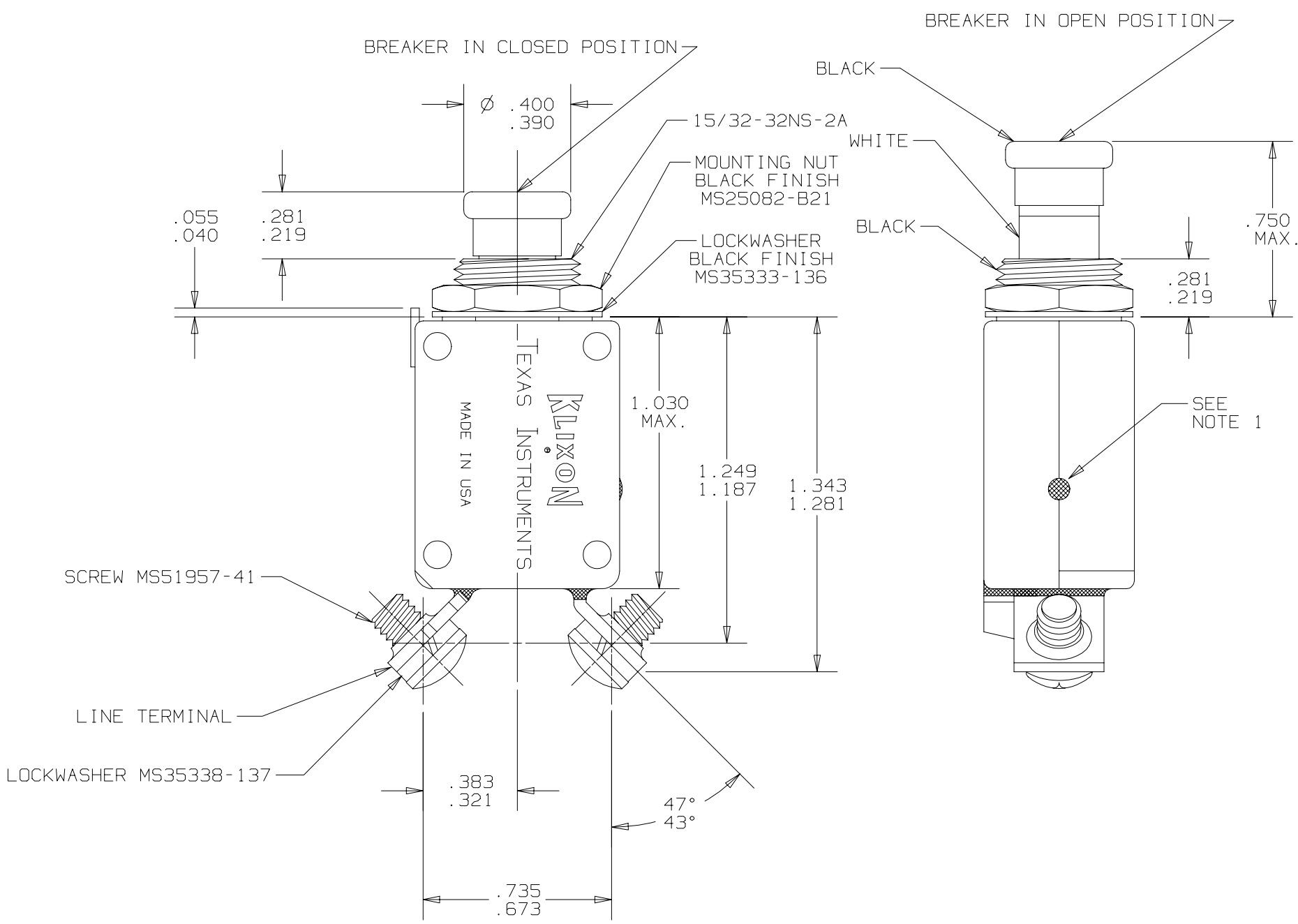
WEIGHT/MAS: 24.0 GRAMS MAX.; 22 GRAMS NOMINAL (.049 LBS)

VOLTAGE DROP:

1 AMP	-----	1.10 VOLTS MAX.
2 AMP	-----	0.70 VOLTS MAX.
2.5 AMP	-----	0.50 VOLTS MAX.
3 AMP	-----	0.40 VOLTS MAX.
4 AMP	-----	0.45 VOLTS MAX.
5 AMP	-----	0.35 VOLTS MAX.
7.5 AMP	-----	0.30 VOLTS MAX.
10 AMP	-----	0.28 VOLTS MAX.
15 AMP	-----	0.25 VOLTS MAX.
20 AMP	-----	0.25 VOLTS MAX.
25 AMP	-----	0.20 VOLTS MAX.

NOTES:

- EPOXY SURFACES ARE NON-DIMENSIONED. ENVELOPE DIMENSIONS DO NOT APPLY TO THESE PROJECTED EPOXY SURFACES.
- TERMINAL AND MOUNTING HARDWARE MAY BE PACKAGED RATHER THAN INSTALLED
- COUNTRY OF ORIGIN IS SHOWN FOR ILLUSTRATION PURPOSES ONLY. COUNTRY OF ORIGIN TO BE IDENTIFIED AS REQUIRED.
- DATE CODE PER 10588-285.
- MARK IN APPROXIMATE POSITION SHOWN IN BLACK INK PER 12506-70.



UNLESS OTHERWISE SPECIFIED DIMENSIONS ARE IN INCHES		DRAWN CHAS. FLEURANT	DATE 7-28-95	 TEXAS INSTRUMENTS ATTLEBORO, MASSACHUSETTS 02703	 CONTROL PRODUCTS DIVISION
TOLERANCE ON FRACTIONS DECIMALS ANGLES		ENGINEER D.L. EISNOR	DATE 4-2-68		
MATERIAL		APPROVED N/A	APPROVED N/A	TITLE PART NO 2TC14 AMBIENT COMPENSATED, HIGH TEMP. CIRCUIT BREAKER PUSH-PULL, TRIP FREE ENVELOPE DRAWING	
		SIGNATURES ON FILE. REFER TO ELECTRONIC CHANGE NOTICE.		SIZE C	CODE IDENT NO. 82647
				2TC14	

D

C

B

A