

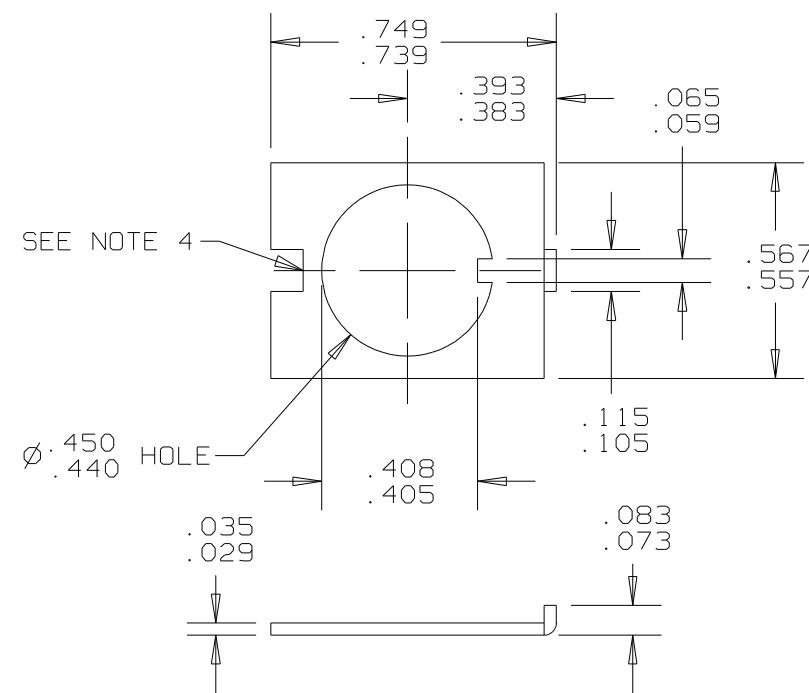
4

3

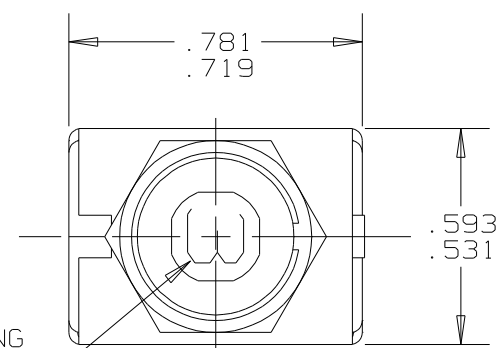
2

1

REVISIONS					
ZONE	LTR	DESCRIPTION	PROJ. 3457	DATE	APPROVED
	K	ADDED NOTES 5 & 6	ECN0009431 GML	2-19-03	A.K.



KEYWAY WASHER DETAIL

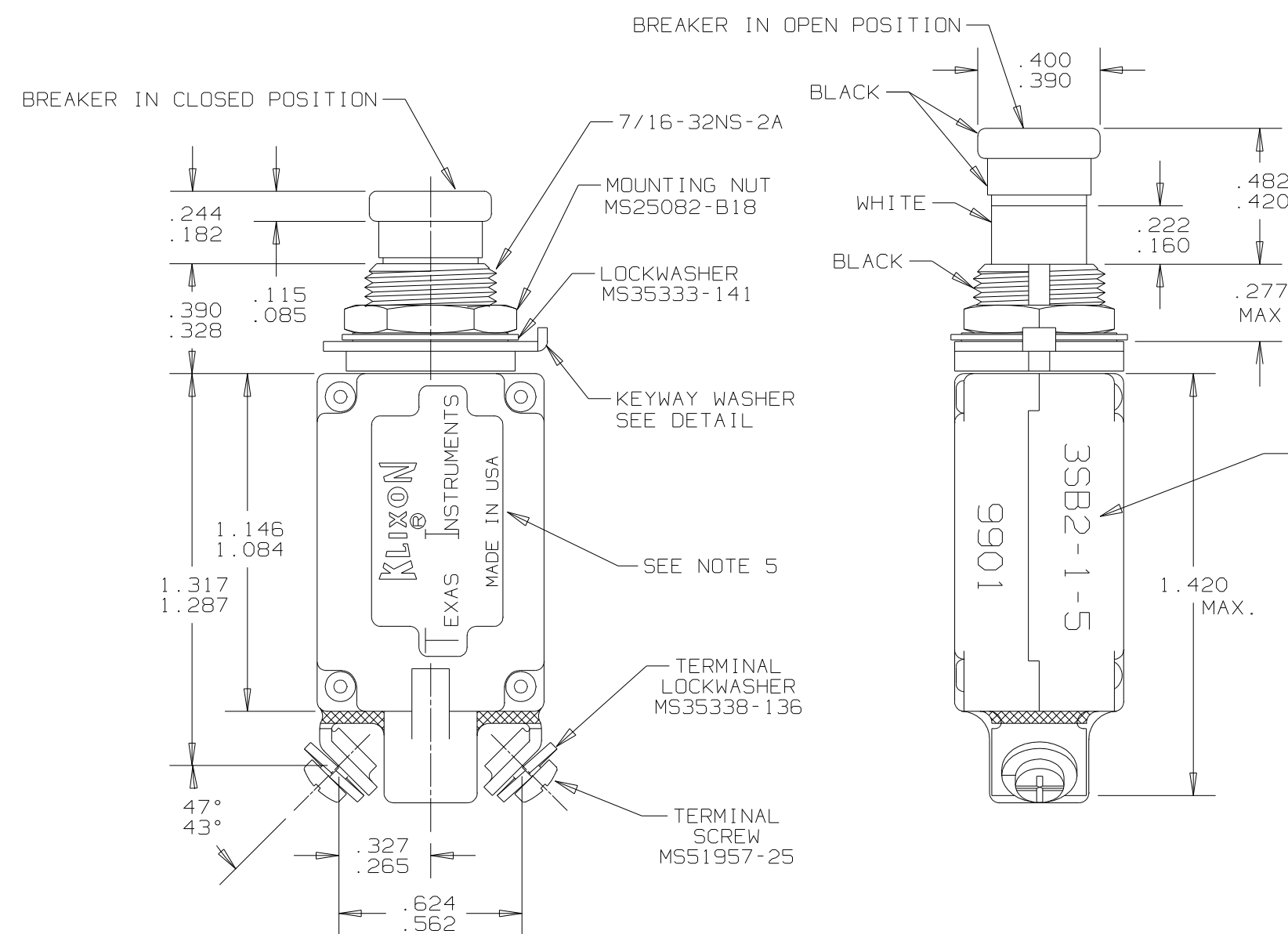


SIMULATED AMP RATING  
3 AMP RATING SHOWN

PERFORMANCE CHARACTERISTICS

VIBRATION ----- 5 G'S MAXIMUM 50-500 HZ  
 SHOCK ----- 5 G'S MAXIMUM  
 ACCELERATION ----- 5 G'S MAXIMUM  
 ENDURANCE ----- 5000 MECHANICAL CYCLES, NO LOAD  
 ----- 5000 ELECTRICAL TRIP CYCLES AT 28 VDC  
 (POST ENDURANCE, MAXIMUM TRIP TIME IS 5 SECONDS)  
 OPERATING FORCES ----- 5LBS MAXIMUM, PULLOUT AND RESET  
 WEIGHT ----- 30 GRAMS MAXIMUM

CUSTOMER WILL SPECIFY THE AMP RATING THEY WOULD LIKE TO HAVE INDICATED ON THE PUSHBUTTON. EXAMPLE, 3SB2-1-5 SIGNIFIES A 5 AMP RATING ON THE PUSHBUTTON. A 3SB2-1-B SIGNIFIES A BLANK RATING INSERT. A 3SB2-1-N SIGNIFIES NO RATING INSERT.



CALIBRATION AT 25°C

3SB2-1	200ma	3 SECONDS	
PART NO.	MAX. CURRENT DRAW AT 28 VDC	MAX. TRIP TIME	

NOTES:

1. ALL MOUNTING HARDWARE HAS A DULL BLACK FINISH.
2. CIRCUIT BREAKERS ARE SUITABLE FOR MOUNTING IN A 1/8" THICK PANEL OR LESS.
3. EPOXY SURFACES ARE NON-DIMENSIONED. ENVELOPE DIMENSIONS DO NOT APPLY TO THESE PROJECTED EPOXY SURFACES.
4. NON FUNCTIONAL NOTCH ON THE BACK OF THE KEYWAY WASHER IS OPTIONAL
5. COUNTRY OF ORIGIN IS SHOWN FOR ILLUSTRATION PURPOSES ONLY. COUNTRY OF ORIGIN TO BE IDENTIFIED AS REQUIRED.
6. TERMINALS MOUNTING HARDWARE SHOWN FOR ILLUSTRATION PURPOSE.

THIS IS A CAD DRAWING. THE GEOMETRY IN THE ASSOCIATED CAD COMPUTER FILE IS DIMENSIONALLY ACCURATE. WHEN DRAWING IS BEING REVISED, THE GEOMETRY MUST BE UPDATED IN ALL VIEWS AND ON ALL SHEETS.

UNLESS OTHERWISE SPECIFIED DIMENSIONS ARE IN INCHES	DRAWN CHAS. FLEURANT	DATE 6-21-94	013	P18
TOLERANCE ON FRACTIONS DECIMALS ANGLES	ENGINEER K.B. GASSER	6-21-94	 TEXAS INSTRUMENTS ATTLEBORO, MASSACHUSETTS 02703  CONTROL PRODUCTS DIVISION	
MATERIAL	APPROVED		TITLE 3SB2 STYLE CIRCUIT BREAKER PUSH-PULL ENVELOPE DRAWING	
	APPROVED		SIZE	CODE IDENT NO.
			C	82647
	SIGNATURES ON FILE. REFER TO ELECTRONIC CHANGE NOTICE.			3SB2