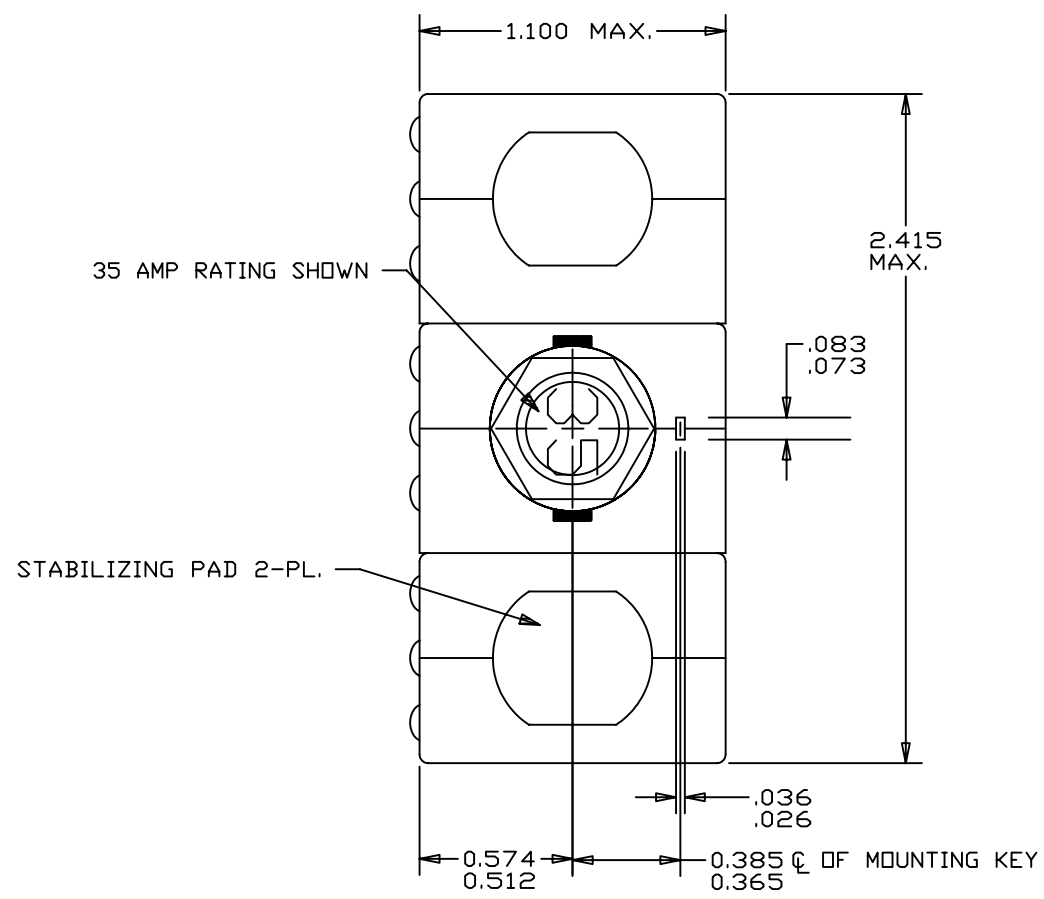


4 3 2 1

REVISIONS					
ZONE	LTR	DESCRIPTION	PROJ. #1112	DATE	APPROVED
	V	ADDED ALL CODING AND MARKING INFORMATION; REDRAWN IN CADRA.	ECN0025548, DP	11-30-05	D.M.



PERFORMANCE CHARACTERISTICS

DETAIL PERFORMANCE PER MIL-C-5809

OVERLOAD CYCLING	-----	100 CYCLES AT 200% RATING
VIBRATION	-----	10 G'S MINIMUM 50-500 CPS
MECHANICAL SHOCK	-----	50 G'S
ACCELERATION	-----	10 G'S
SAND AND DUST	-----	12 HOURS
CORROSION	-----	SALT SPRAY 48 HOURS
HUMIDITY	-----	10 DAYS
EXPLOSION PROOF	-----	WHILE INTERRUPTING RUPTURE CURRENTS

ENDURANCE:

120 VAC	400 HZ INDUCTIVE	2500 CYCLES
MECHANICAL	400 HZ RESISTIVE	5000 CYCLES
	NO LOAD	5000 CYCLES

SINGLE * OR THREE PHASE CALIBRATION: 1 AMP, 15 AMP THRU 35 AMP

	MIN. ULT. TRIP	MAX. ULT. TRIP	200%	500%	1000%
+25°C, +77°F	110% RATING	145% RATING	4-20 SEC.	.40-2.0 SEC.	.10-.53 SEC.
-55°C, -65°F	110% RATING	165% RATING	6-40 SEC.	.55-3.5 SEC.	.15-.80 SEC.
+71°C, +160°F	100% RATING	145% RATING	3-20 SEC.	.33-1.7 SEC.	.08-.40 SEC.

RUPTURE: 1 AMP, 15 AMP THRU 35 AMP 120 VAC, 400 HZ 2000 AMPS

MAXIMUM OPERATING FORCES

PULL OUT	-----	12 LBS. MAX. (53.4 N)
RESET	-----	12 LBS. MAX. (53.4 N)

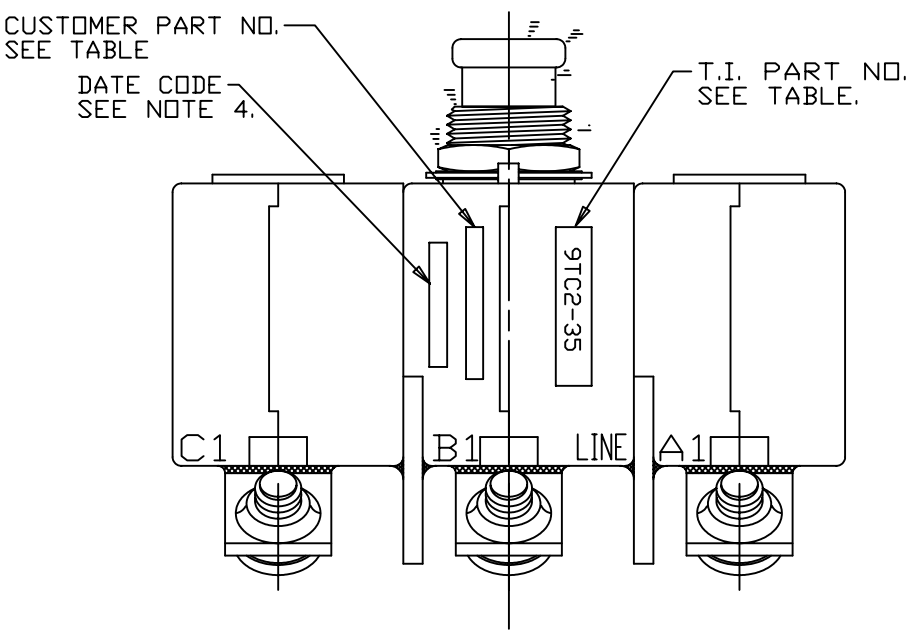
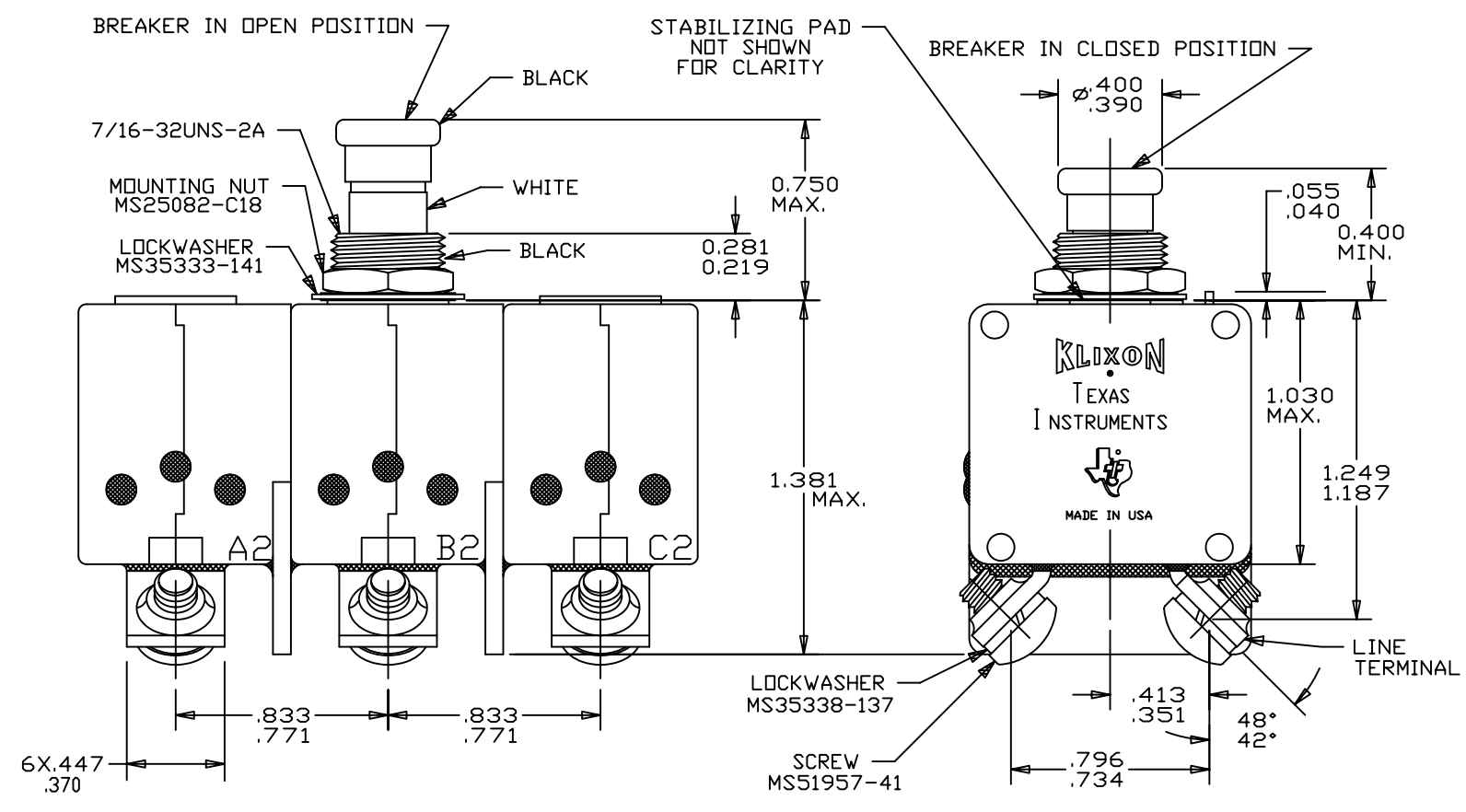
OPERATING ALTITUDE: 70,000 FT. (<21,000 M)

WEIGHT: 110.0 GRAMS MAX. (<0.242 LBS. >)

VOLTAGE DROP:

1 AMP	-----	110 VOLTS MAX.
15 AMP	-----	0.25 VOLTS MAX.
20 AMP	-----	0.25 VOLTS MAX.
25 AMP	-----	0.25 VOLTS MAX.
30 AMP	-----	0.25 VOLTS MAX.
35 AMP	-----	0.25 VOLTS MAX.

* SINGLE PHASE MAXIMUM ULTIMATE TRIP VALUES APPLY WITH OTHER TWO PHASES CARRYING 100% OF RATED CURRENT.



9TC2-35	MS 14153-35
9TC2-30	MS 14153-30
9TC2-25	MS 14153-25
9TC2-20	MS 14153-20
9TC2-15	MS 14153-15
9TC2-1	MS 14153-1
T.I. PART NO.	CUSTOMER PART NO.

- NOTES:
- EPOXY SURFACES ARE NON-DIMENSIONED. ENVELOPE DRAWING DIMENSIONS DO NOT APPLY TO THESE PROJECTED EPOXY SURFACES.
 - TERMINAL AND MOUNTING HARDWARE MAY BE PACKAGED RATHER THAN INSTALLED.
 - COUNTRY OF ORIGIN IS SHOWN FOR ILLUSTRATION PURPOSES ONLY. COUNTRY OF ORIGIN TO BE IDENTIFIED AS REQUIRED.
 - DATE CODE PER 10588-285.
 - ALL MARKINGS TO BE MADE IN APPROXIMATE POSITIONS SHOWN, WITH BLACK INK PER 12506-70; 3/32 INCH HIGH CHARACTERS.

THIS IS A CAD DRAWING. THE GEOMETRY IN THE ASSOCIATED CAD COMPUTER FILE IS DIMENSIONALLY ACCURATE. WHEN DRAWING IS BEING REVISED, THE GEOMETRY MUST BE UPDATED IN ALL VIEWS AND ON ALL SHEETS.

UNLESS OTHERWISE SPECIFIED DIMENSIONS ARE IN INCHES	DRAWN	DATE	Q3	P18	P2
	TOM DAIL	3-6-90			
TOLERANCE ON FRACTIONS DECIMALS ANGLES	ENGINEER				
	APPROVED				
	APPROVED				
MATERIAL					
SIGNATURES ON FILE. REFER TO ELECTRONIC CHANGE NOTICE.					

TEXAS INSTRUMENTS
ATLEBORD, MASSACHUSETTS 02703

KLIXON
CONTROL PRODUCTS DIVISION

TITLE: AMBIENT COMPENSATED, HIGH TEMP CIRCUIT BREAKER PUSH-PULL, TRIP FREE ENVELOPE DRAWING

SIZE	CODE IDENT NO.
C	82647

9TC2

SCALE: 2:1 SHEET 1 OF 1