

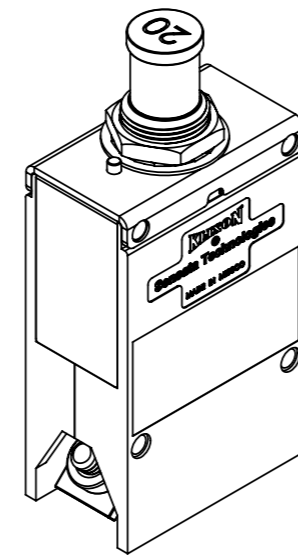
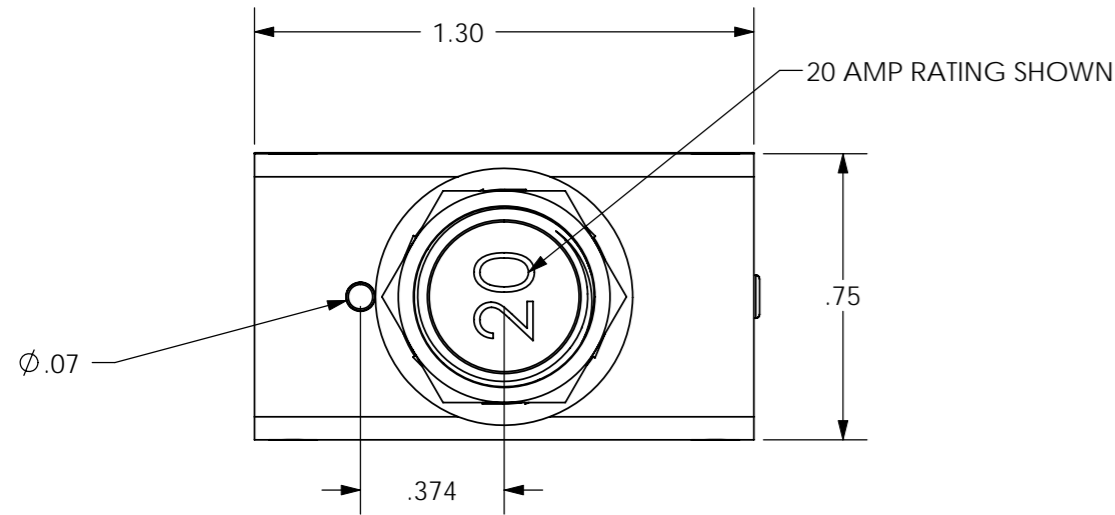
4

3

2

1

ZONE	REV.	REVISION DESCRIPTION	ECN NO.	DATE
	A	INITIAL RELEASE FOR PRODUCTION; PD	ECN0040080	31-JAN-2008



SCALE 1:1

DETAIL PERFORMANCE

VIBRATION	-----	CURVE 'J' OF EUROCAE ED-14B, 3 G'S, 2000 HZ
MECHANICAL SHOCK	-----	50 G'S
CORROSION	-----	SALT SPRAY 48 HOURS
SAND & DUST	-----	12 HOURS
HUMIDITY	-----	48 HOURS
EXPLOSION PROOF	-----	WHILE INTERRUPTING CURRENTS

ENDURANCE:

115 VAC	360-800 HZ INDUCTIVE	2500 CYCLES
28 VDC	RESISTIVE	2500 CYCLES
	INDUCTIVE	2500 CYCLES
MECHANICAL	NO LOAD	5000 CYCLES

CALIBRATION: 50 AMP

	MIN. ULT. TRIP	MAX. ULT. TRIP	200%	500%	1000%
+25 °C (+77 °F)	115 % RATING	138% RATING	15-55 SEC.	0.15-2.5 SEC.	0.045-0.6 SEC.
-40 °C (-40 °F)	148 % RATING	178% RATING	70 SEC. MAX.	0.15-2.5 SEC.	0.045-0.6 SEC.
+71 °C (+160 °F)	70 % RATING	114% RATING	1.5 SEC. MIN.	0.15-2.5 SEC.	0.045-0.6 SEC.

RUPTURE:

50 AMP	115VAC, 380-800 HZ	2000 AMPS RMS
	28 VDC	4000 AMPS D.C.

OPERATIONAL FORCES:

PULLOUT	-----	1.2 - 8 LBS
RESET	-----	1.8 - 12 LBS

OPERATING ALTITUDE: 15,000 M (49,200 FT)

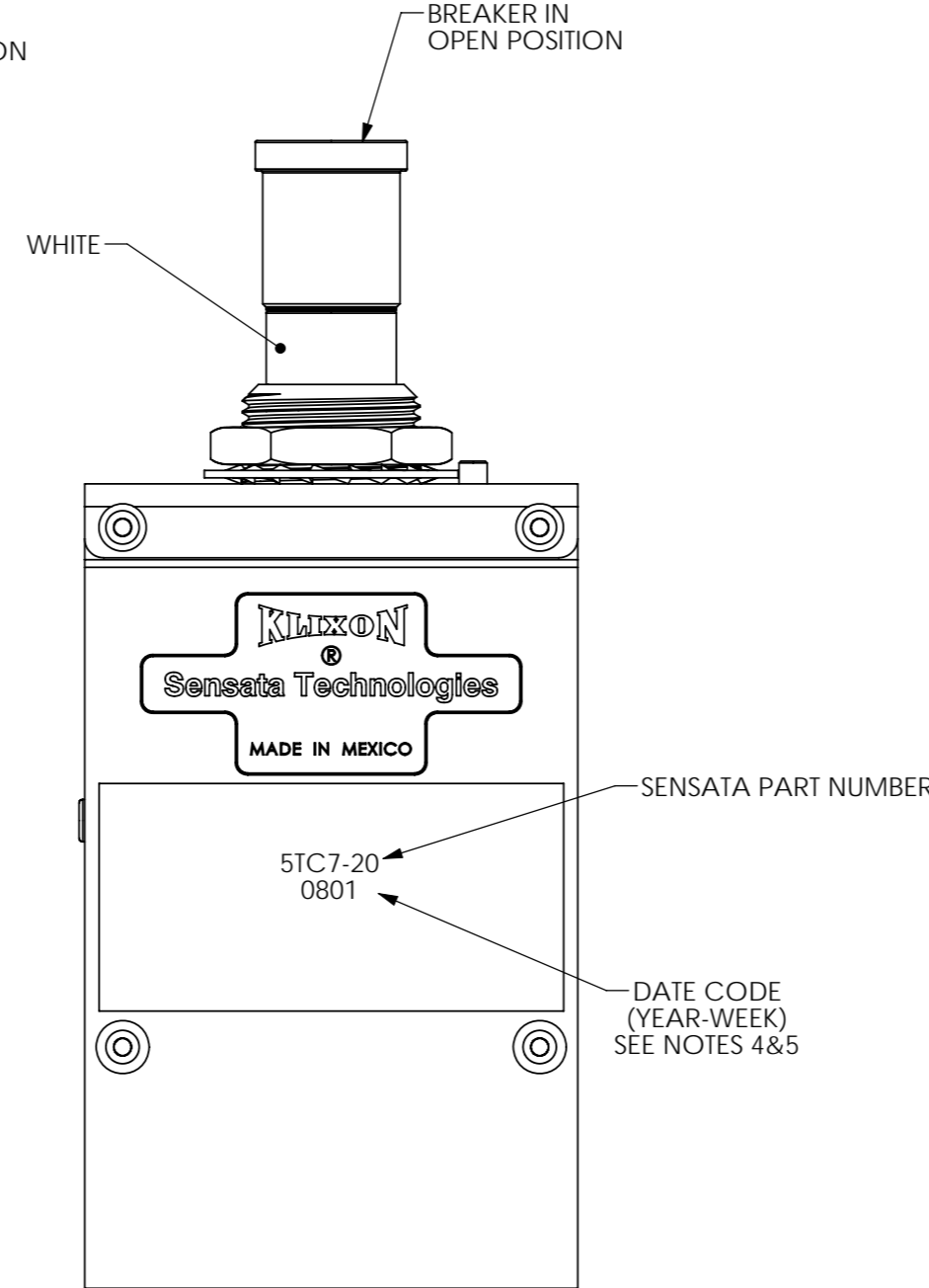
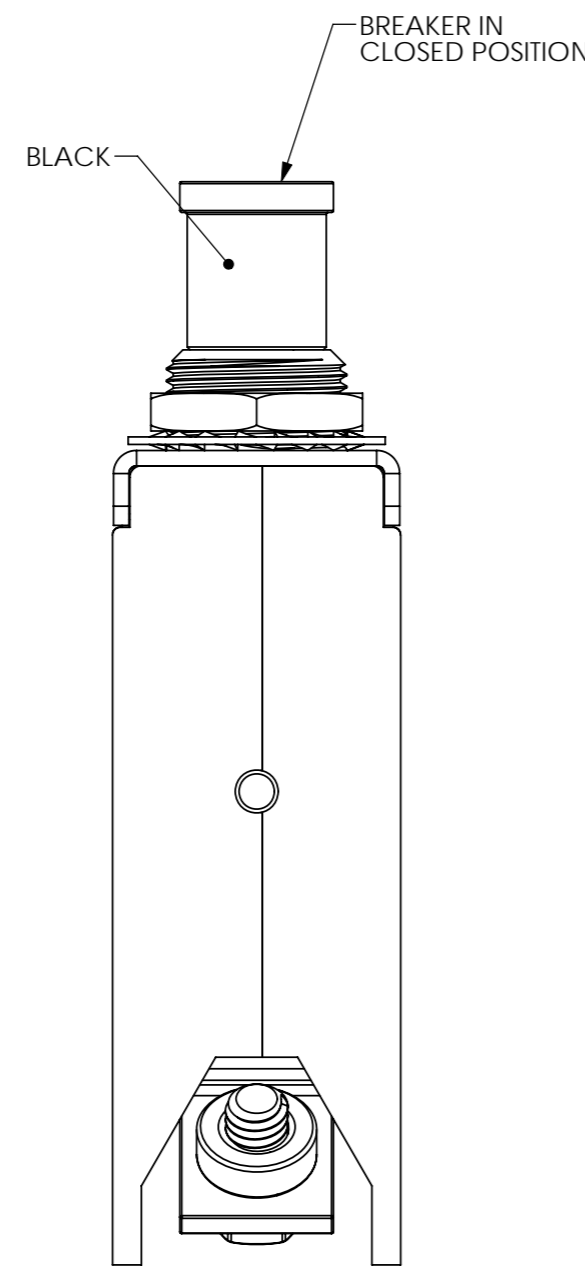
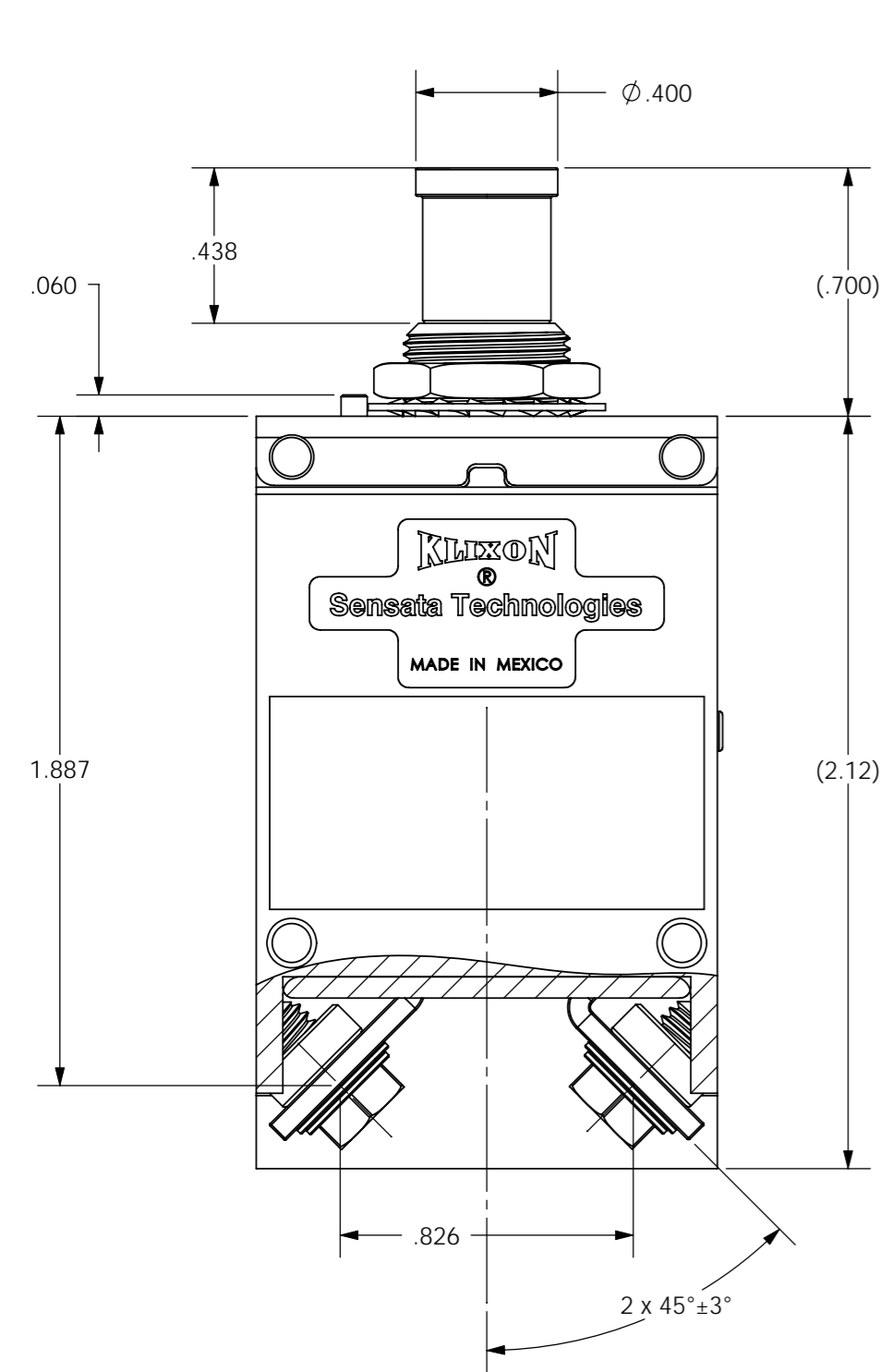
WEIGHT: .11 LBS. MAX (52 GRAMS MAX.) - WITH CONNECTION HARDWARE

VOLTAGE DROP:

50 AMP ----- 0.250 VOLTS MAX.

NOTES:

1. EPOXY SURFACES ARE NON-DIMENSIONED. ENVELOPE DIMENSIONS DO NOT APPLY TO THESE PROJECTED EPOXY SURFACES.
2. TERMINAL AND MOUNTING HARDWARE MAY BE PACKAGED RATHER THAN INSTALLED.
3. COUNTRY OF ORIGIN IS SHOWN FOR ILLUSTRATIONAL PURPOSES ONLY. COUNTRY OF ORIGIN TO BE IDENTIFIED AS REQUIRED.
4. DATE CODE PER 10588-285.
5. MARK IN APPROXIMATE POSITION SHOWN IN BLACK INK PER 12506-70.



FOR REFERENCE ONLY, CHECK LATEST REVISION BEFORE USE. PARTS MADE TO THIS PRINT MUST CONFORM TO E9898 REV. E.				529 PLEASANT STREET P.O. BOX 2964 ATTLEBORO, MA 02703	
DRAWN W.BLENKHORN DATE 31-JAN-2008	SENSATA TECHNOLOGIES PROPRIETARY AND CONFIDENTIAL. NEITHER THIS PRINT NOR THE INFORMATION CONTAINED HEREON IS TO BE USED AGAINST THE INTERESTS OF SENSATA TECHNOLOGIES OR AGAINST THE INTERESTS OF ANY OF ITS AFFILIATED COMPANIES OR WHOLLY OWNED SUBSIDIARIES.		TITLE 5TC CIRCUIT BREAKER PUSH-PULL TRIP FREE		REV.
ENGINEER W.BLENKHORN DATE 31-JAN-2008	UNLESS OTHERWISE SPECIFIED DIMENSIONS ARE IN MILLIMETERS		SIZE A2		DWG NO. 5TC7
APPROVED W.BENTLEY DATE 31-JAN-2008	TOLERANCES DECIMALS ANGLES X.X ±0.10 X.X° ±2° X.XX ±0.01 X.XXX ±0.005		SCALE 2:1		SHEET 1 OF 1
APPROVED A.NAULT DATE 31-JAN-2008	DO NOT SCALE DRAWING		THIRD ANGLE PROJECTION		PROJECT: 1

4

3

2

1